

DUAL 8" INVISIBLE SUBWOOFER SYSTEM

Recommended Applications:

- Home Theater / Surround Sound
- Multi-Room Audio Systems
- Added Bass for Foreground Music Systems
- Added Bass for Background Music Systems

Recommended Installations:

- Flush mounted in walls or ceilings constructed of wood or steel framing with 1/2" (12.7 mm) or thicker gypsum wallboard.
- Minimum 2-1/2" (63.5 mm) cavity depth required.

Performance:

- 100 Watts RMS
- 20Hz to 160Hz (see Figure 1)
- 60W minimum recommended power

On-Site Finish Options:

- Finish options include latex paint, flat finish, orange peel texture, light plaster, light wallpaper, light fabric, wood veneer, and other selected approved finishes.



Front view



Rear view

The Stealth Acoustics Model B30G is a two-panel monaural subwoofer speaker system that becomes completely invisible after installation. The subwoofer has a rigid frame that attaches directly to standard structural framing. The paintable active diaphragm face is bonded to the frame of the speaker panel, creating an active area surrounded by a stable mounting area. Installation instructions are shown on a paper overlay that is to be removed before installation. The overlay can also be used as a cutting template for retrofitting the speakers into existing wallboard.

The B30G may be installed in either the wall or ceiling and on-site finishing options include latex paint, light wallpaper, fabrics and selected texture coats. There is no need for special vellums or other nonstandard wallboard finishing materials. Advanced finishing methods may be supported using special techniques.

Ideal for any surround sound, foreground

music or whole-house audio system that needs extra bass output, each B30G panel incorporates two acoustically coupled, high-quality, low profile high-power 8" (203 mm) cone woofers. The panels work in pairs as a monaural output subwoofer. This two-panel system allows each panel to be placed wherever they perform best, free of visual concerns that may conflict with architectural features. B30G panels may be mounted separately or stacked to achieve desired acoustical results. For stereo subwoofers, four panels should be employed.

Using acoustic lever principals, the B30G provides exceptional bass output from 20Hz to 160Hz by trading off excursion for surface area to propagate bass waveforms. Each panel has 331 sq. in. (840 sq. cm) of active area for a total of 662 sq. in. (1680 sq. cm) for both panels - nearly twice that of a typical 12" (304 mm) woofer.

For proper registration, each speaker must be installed so that the surface of the **perimeter edge is flush** with the adjoining wallboard. When correctly in place, the surface of the speaker **face panel extends above** the height of the wallboard by 1/16" (1.6 mm). This is done to allow space for the tape and joint compound needed to blend the panel into the wall. Shims are included to allow for mounting in wallboard thicker than 1/2" (12.7 mm).

Stealth Acoustics recommends the companion model 255R 250-watt subwoofer amplifier/crossover as a matched amplifier for the B30G subwoofer speakers. Stealth Acoustics also offers a line of full-range speaker panels that when combined with the B30G, deliver a complete, totally invisible audio solution

All Stealth Acoustics products are covered by a 5 year manufacturer's warranty as well as an optional 15 year extended warranty.

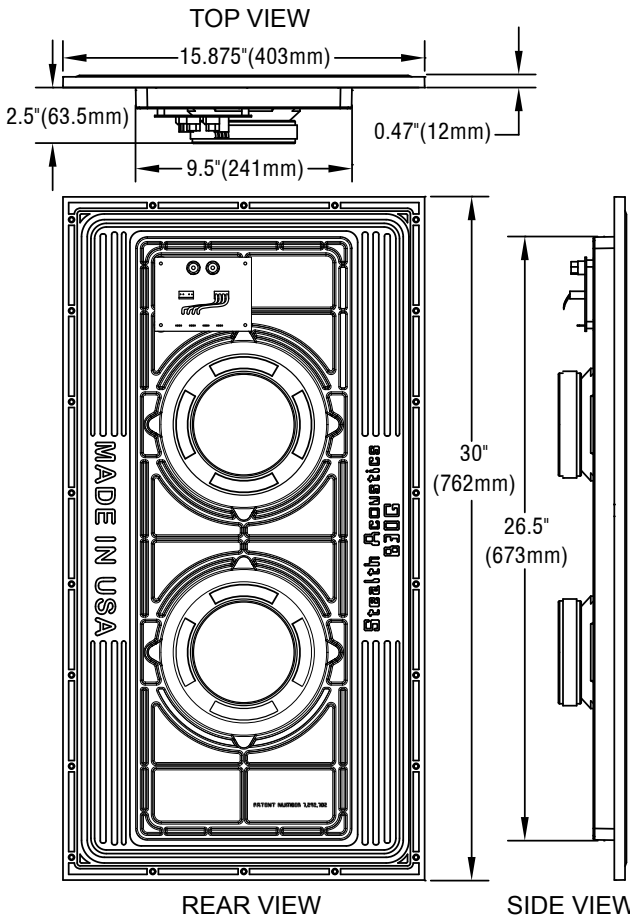


Architectural & Engineering Specifications

The subwoofer shall be an invisible, low frequency flat-panel system, with an operating range from 20Hz to 160Hz. It shall be a two panel system with each panel having a total radiating surface of 331 sq. in (2135 sq. cm). Each panel shall be driven by two 8" (203 mm) woofers with a nominal impedance of 16Ω per panel and a power handling of 100 watts RMS according to EIA standard RS-426-A. The panels may be wired in parallel with an impedance of 4Ω.

The subwoofer shall fit into walls or ceilings with standard wood or steel stud construction and a minimum 2-1/2" (63.5 mm) depth cavity. The subwoofer shall mount directly to the structural framing and have the capability of seamlessly adjoining 1/2" (12.7 mm) or thicker gypsum wallboard. The minimum distance between framing members shall be 9-1/2" (241 mm). Face panel finishing methods shall be consistent with normal gypsum wallboard finishing techniques and may include latex paint, light wallpaper, light fabric, wood veneer, and other selected approved finishes.

The subwoofer shall be the Stealth Acoustics Model B30G and shall carry a 5 year manufacturer's warranty.



Product Specifications

Frequency Response:

20Hz to 160Hz (see Figure 1)

Power Capacity:

100 watts RMS
 60W minimum recommended power

Sensitivity:

86 dB (1 watt / 1 meter)

Driver Components:

Two 8" (203 mm) woofers with 1-1/2" (38 mm) voice coils per panel
 Two ceramic 20 oz. (622 gr) magnets

System Impedance:

The impedance may be changed from 4Ω (in parallel) to 16Ω (in series) via a jumper on the back of each panel.

Polar Dispersion:

170 degrees vertical and horizontal

Crossover Frequency:

Requires amplifier with low pass filter. 50Hz with 18 dB slope recommended

Dimensions:

Width: 15-7/8" (403 mm)
 Height: 30" (762 mm)
 Mounting Depth: 2-7/16" (62 mm)

Product Weight:

20 lbs. (9.1 kg) each

Shipping Weight:

46 lbs. (20.8 kg) per pair

Included Accessories:

Mounting shims
 Mounting screws
 Terminal wrench

Optional Accessories:

- PS-30 PlaceSaver™
- 255R Stealth Acoustic Subwoofer Amplifier
- BX-30 MDF Acoustic Subwoofer Back Box
- MBX-30 UL Listed Metal Back Box
- MBA-30 UL Listed Metal Back Box - Adjustable
- MBC-30 Concrete Back Box
- SK-1 Shim Kit
- WARRANTY Extended Warranty - 15 year

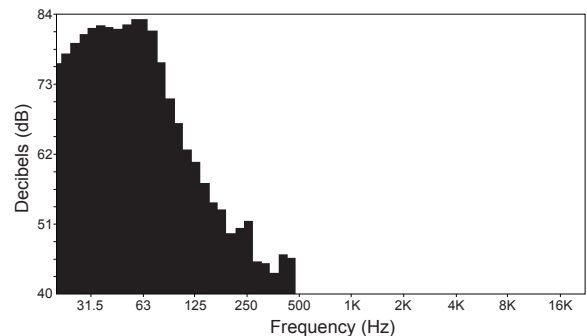


Figure 1: On-axis frequency response in standard stud wall, with four coats of latex paint applied to the speaker face panel.

3-WAY INVISIBLE IN-WALL OR IN-CEILING LOUDSPEAKER

Recommended Applications:

- Home Theater / Surround Sound
- High End Multi-Room Audio Systems
- Foreground Music
- Background Music
- Voice Paging
- Sound Reinforcement

Recommended Installations:

Flush mounted in walls or ceilings constructed of wood or steel framing with 1/2" (12.7 mm) or thicker gypsum wallboard. Minimum 2-1/2" (63.5 mm) cavity depth required.

Performance:

- 200 watts RMS
- 40Hz to 20kHz (see Figure 1)
- 75W minimum recommended power

Protection:

Three independent self-resetting circuits (low, mid-range and high frequency).

On-Site Finish Options:

Finish options include latex paint, flat finish, orange peel texture, light plaster, light wallpaper, light fabric, wood veneer, and other selected approved finishes.



Front view

Rear view

LINEAR RESPONSE

INVISIBLE SPEAKERS

The Stealth Acoustics Model LR3G is a three-way, full-range loudspeaker system that becomes completely invisible after installation. The loudspeaker has a rigid frame that attaches directly to standard structural framing. The paintable active diaphragm face is bonded to the frame of the speaker panel, creating an active area surrounded by a stable mounting area. Installation instructions are shown on a paper overlay that is to be removed before installation. The overlay can also be used as a cutting template for retrofitting the speakers into existing wallboard.

The LR3G may be installed in either the wall or ceiling and on-site finishing options include latex paint, light wallpaper, fabrics and selected texture coats. There is no need for special vellums or other non-standard wallboard finishing materials. Advanced finishing methods may be supported using special techniques.

The Stealth Acoustics LR3G incorporates an acoustically coupled high quality, high-power 8" cone woofer and direct coupled 25 mm neo-magnet high-frequency motors. Advanced internal carbon fiber materials allow for smooth frequency extension to 20 kHz. When the LR3G is installed in standard insulated 2" x 4" framing and allowed to function in a full 8 foot stud bay, frequency response below 40 Hz can be achieved. The LR3G contains three independent protection circuits (low, mid-range and high frequency sections) that automatically reset upon reduction of excessive amplifier power.

For proper registration, each speaker must be installed so that the surface of the **perimeter edge is flush** with the adjoining wallboard. When correctly in place, the surface of the speaker **face panel extends above** the height of the

wallboard by 1/16" (1.6 mm). This is done to allow space for the tape and joint compound needed to blend the panel into the wall. Shims are included to allow for mounting in wallboard thicker than 1/2" (9.5 mm).

Stealth Acoustics' invisibility offers a powerful advantage over traditional loudspeakers because they can be placed wherever they sound best, free of visual concerns that may conflict with architectural features. Accompanying the full range panels, Stealth Acoustics offers the B22G and B30G – completely invisible companion subwoofers for extended low frequency response.

All Stealth Acoustics products are covered by a 5 year manufacturer's warranty as well as an optional 15 year extended warranty. The LR3G also has 100, 70 and 25 volt constant voltage transformers available as factory installed options.

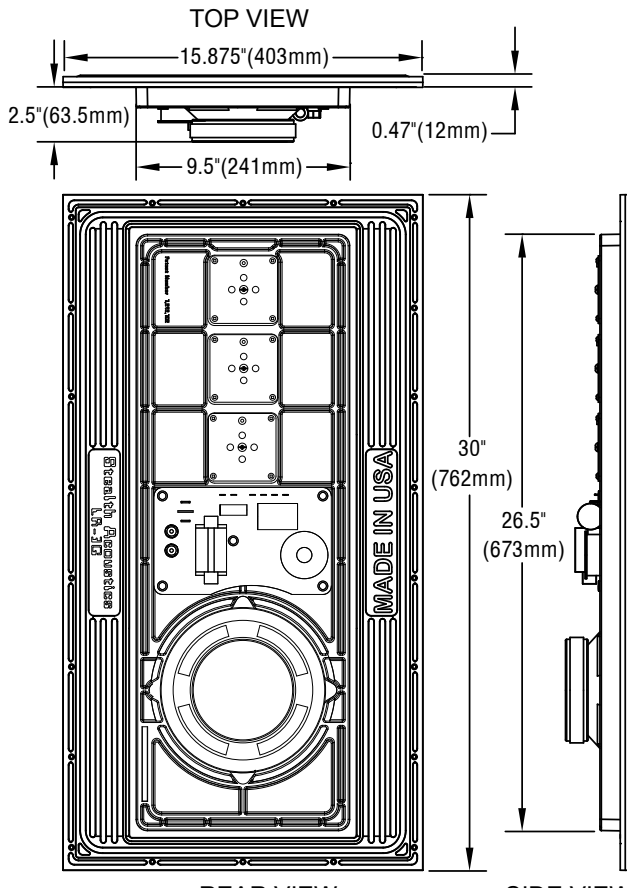


Architectural & Engineering Specifications

The loudspeaker shall be a two-way, full-range device, producing frequencies from 40Hz to 20kHz. The total radiating surface shall be 480 sq. in (3097 sq. cm) and high frequency dispersion shall be a nominal 170 degrees in both horizontal and vertical planes. The loudspeaker system shall have a sensitivity of 83 dB, 1 watt / 1 meter, with a capacity of 200 watts RMS according to EIA standard RS-426-A. The loudspeaker shall have three independent self-resetting protection devices, one each for the high-frequency, midrange, and low-frequency drivers

The loudspeaker shall fit into walls and ceilings with wood or steel stud construction and a standard 2-1/2" (63.5 mm) depth cavity. The loudspeaker shall mount directly to the structural framing and have the capability of seamlessly adjoining 1/2" (9.5 mm) or thicker gypsum wallboard. The minimum distance between framing members shall be 9-1/2" (241 mm). Face panel finishing methods shall be consistent with normal gypsum wallboard finishing techniques and may include latex paint, light wallpaper, light fabric and other selected approved finishes.

The loudspeaker shall be the Stealth Acoustics Model LR3G and shall carry a 5 year manufacturer's warranty.



Product Specifications

Frequency Response:

40Hz to 20kHz (see Figure 1)

Power Capacity:

200 watts RMS

75 watts minimum recommended power

Protection:

Three independent self-resetting devices (low, mid and high frequency)

Sensitivity:

83 dB (1 watt / 1 meter)

Driver Components:

High frequency: 1" (25 mm) neodymium motor

Midrange frequency: Two 1" (25 mm) neodymium motors

Low-frequency: 1.5" (38 mm) voice coil, 8" (203 mm) woofer

Ceramic 20 oz. (622 gr) magnet

System Impedance:

8Ω nominal

Polar Dispersion:

170 degrees vertical and horizontal

Dimensions:

Width: 15-7/8" (403 mm)

Height: 30" (762 mm)

Mounting Depth: 2-1/2" (63.5 mm)

Product Weight:

20 lbs. (9.1 kg)

Shipping Weight:

43 lbs. (19.5 kg) per pair

26 lbs. (11.8 kg) per single

Included Accessories:

Mounting shims

Mounting screws

Terminal wrench

Optional Accessories:

PS-30 PlaceSaver™

BX-30 MDF Acoustic Back Box

MBX-30 UL Listed Metal Back Box

MBA-30 UL Listed Metal Back Box - Adjustable

MBC-30 Concrete Back Box

SK-1 Shim Kit

CVXMR 100, 75 and 25 volt Constant Voltage Xfmr

WARRANTY Extended Warranty - 15 year

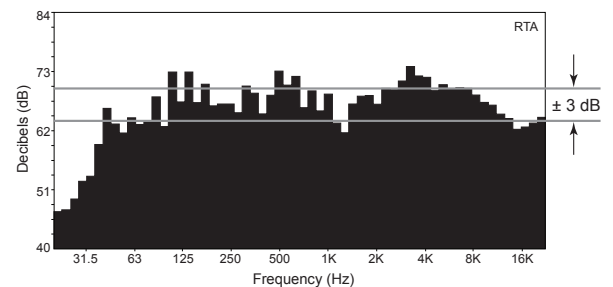


Figure 1: On-axis frequency response in standard stud wall with four coats of latex paint applied to the speaker face panel.

FULL RANGE 6-ELEMENT PREMIUM 2 PANEL INVISIBLE SPEAKER SYSTEM

Recommended Applications:

- Home Theater / Surround Sound
- High End Multi-Room Audio System
- Multi-Room Audio Systems
- Foreground Music
- Background Music

Recommended Installations:

Flush mounted in walls or ceilings constructed of wood or steel framing with 1/2" (12.7 mm) or thicker gypsum wallboard. Minimum 2-3/4" (70 mm) cavity depth required.

Performance:

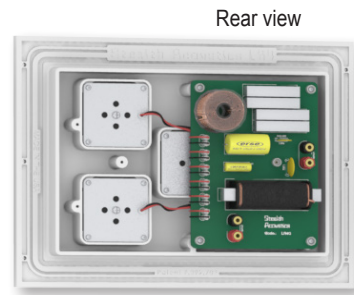
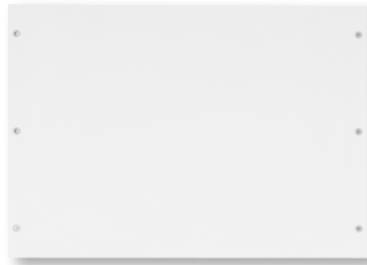
- 200 Watts RMS
- 45Hz to 20kHz (see Figure 1)
- 100W Minimum recommended power

Protection:

Two independent self-resetting circuits (low and high-frequency).

On-Site Finish Options:

Finish options include latex paint, flat finish, orange peel texture, light plaster, light wallpaper, light fabric, wood veneer, and other selected approved finishes.



LINEAR RESPONSE

INVISIBLE SPEAKERS

The Stealth Acoustics Model LR4G is a Planar-front, two panel system; 3-way passive, in-wall or in ceiling loudspeaker that becomes completely invisible after installation. The loudspeaker has a rigid frame that attaches directly to standard structural framing. The paintable active diaphragm face is bonded to the frame of the speaker panel, creating an active area surrounded by a stable mounting area. Installation instructions are shown on a paper overlay that is to be removed before installation. The overlay can also be used as a cutting template for retrofitting the speakers into existing wallboard.

The LR4G may be installed in either the wall or ceiling and on-site finishing options include latex paint, light wallpaper, fabrics and selected texture coats. There is no need for non-standard wallboard finishing materials. Advanced finishing methods may be supported using special techniques.

The Stealth Acoustics LR4G is designed to work in conjunction with the LR4G-B22G low frequency panel (included) to complete its full-range capabilities. The LR4G incorporates four direct-to-panel neodymium midrange motors and one direct-to-panel neodymium high-frequency motor aligned in the Stealth Quad-Balanced Midrange Drive™ configuration. Advanced internal materials allow for smooth frequency extension to 20 kHz. When the LR4G is installed in the recommended back boxes frequency response between 45 Hz & 20kHz can be achieved. The LR4G contains three independent protection circuits (low, mid-range and high frequency sections) that automatically reset upon reduction of excessive amplifier power.

For proper registration, each speaker must be installed so that the surface of the perimeter edge is flush with the adjoining wallboard. When correctly in

place, the surface of the speaker face panel extends above the height of the wallboard by 1/16" (1.6 mm). This is done to allow space for the tape and joint compound needed to blend the panel into the wall. Shims are included to allow for mounting in wallboard thicker than 1/2" (12.7 mm).

Stealth Acoustics' invisibility offers a powerful advantage over traditional loudspeakers because they can be placed wherever they sound best, free of visual concerns that may conflict with architectural features. Accompanying the full range panels, Stealth Acoustics offers the B22G and the B30G – completely invisible companion subwoofers for extended low frequency response.

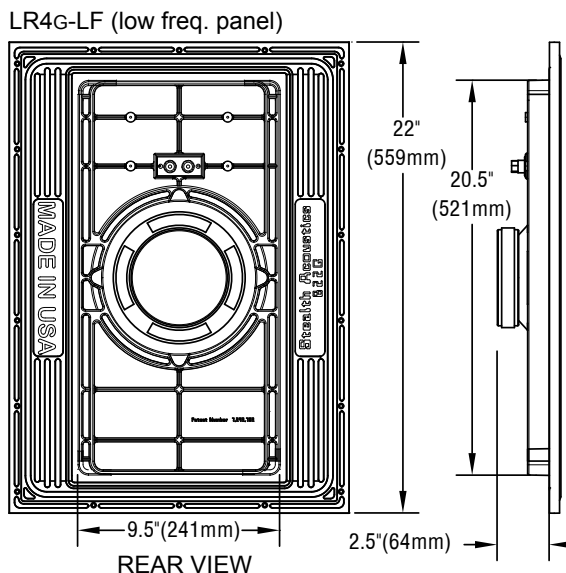
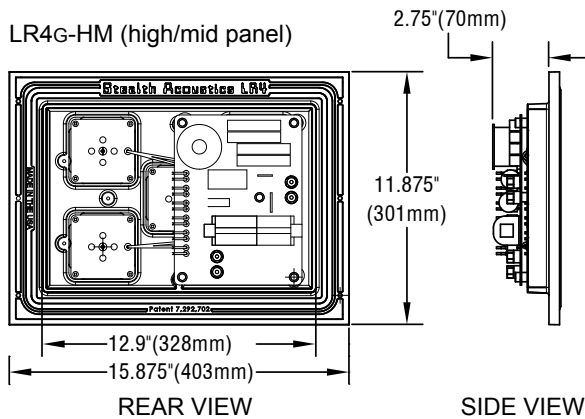
All Stealth Acoustics products are covered by a 5 year manufacturer's warranty as well as an optional 15 year extended warranty.

Architectural & Engineering Specifications

The loudspeaker shall be a separated two-panel, three-way, full-range device, producing frequencies from 45Hz to 20kHz. The total radiating surface shall be 544 sq. in (3509 sq.cm) and high frequency dispersion shall be a nominal 170 degrees in both horizontal and vertical planes. The loudspeaker system shall have a sensitivity of 83 dB, 1 watt / 1 meter, with a capacity of 200 watts RMS according to EIA standard RS-426-A. The loudspeaker shall have three independent self-resetting protection devices, one each for the high-frequency, midrange, and low-frequency drivers.

The loudspeaker shall fit into walls or ceilings with standard wood or steel stud construction and a minimum 2-3/4" (70 mm) depth cavity. The loudspeaker shall mount directly to the structural framing and have the capability of seamlessly adjoining 1/2" (12.7 mm) or thicker gypsum wallboard. The minimum distance between framing members shall be 9-1/2" (241 mm). Face panel finishing methods shall be consistent with normal gypsum wallboard finishing techniques and may include latex paint, light wallpaper, light fabric and other selected approved finishes.

The loudspeaker shall be the Stealth Acoustics Model LR4G and shall carry a 5 year manufacturer's warranty.



Product Specifications

Frequency Response:

45Hz to 20kHz (see Figure 1)

Power Capacity:

200 watts RMS

100 watts minimum recommended power

Protection:

Three independent self-resetting devices (low and mid-range and high frequency)

Sensitivity:

83 dB (1 watt / 1 meter)

Driver Components:

High frequency: 1" (25 mm) neodymium motor

Midrange frequency: Four 1" (30 mm) neodymium motors

Low-frequency: Single 1.5" (38 mm) voice coil, 8" (203 mm) woofer and ceramic 20 oz. (622 gr) magnet

Crossover:

Passive 3-Way @ 500Hz and 3kHz (asymmetrical)

System Impedance:

8Ω nominal

Polar Dispersion:

170 degrees vertical and horizontal

Dimensions LR4g-HM (High-Mid Panel only):

Width: 15-7/8" (403 mm)

Height: 12" (305 mm)

Mounting Depth: 2-3/4" (70 mm)

Dimensions LR4g-LF (Low Frequency Panel only):

Width: 15-7/8" (403 mm)

Height: 22" (559 mm)

Mounting Depth: 2-1/2" (64 mm)

Shipping Weight:

55 lbs. (25 kg) per pair (4 Panels)

Included Accessories:

Mounting shims

Mounting screws

Terminal wrench

Optional Accessories:

PS PlaceSaver™

MBX UL Listed Metal Back Box

MBA UL Listed Metal Back Box - Adjustable

MBC Concrete Back Box

SK-1 Shim Kit

CVXMR 100, 75 and 25 volt Constant Voltage Xfmr

WARRANTY Extended Warranty - 15 year

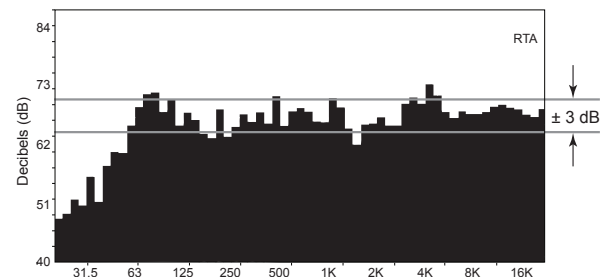


Figure 1: On-axis frequency response in standard stud wall with four coats of latex paint applied to the speaker face panel.

6.5" 2-WAY INVISIBLE IN-WALL OR IN-CEILING LOUDSPEAKER

Recommended Applications:

- Multi-Room Audio Systems
- Background Music
- Foreground Music
- Voice Paging
- Sound Masking Systems
- Home Theater / Surround Sound

Recommended Installations:

Flush mounted in walls or ceilings constructed of wood or steel framing with 1/2" (12.7 mm) or thicker gypsum wallboard. Minimum 2-3/4" (70 mm) cavity depth required.

Performance:

- 100 Watts RMS
- 45Hz to 20kHz (see Figure 1)
- 50W minimum recommended power

Protection:

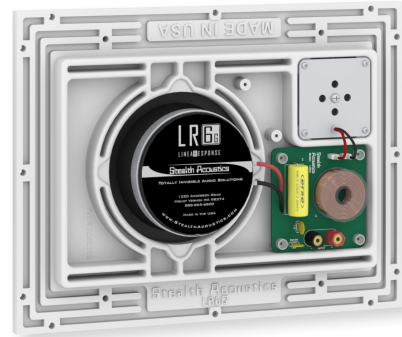
Two independent self-resetting circuits (low and high-frequency).

On-Site Finish Options:

Finish options include latex paint, flat finish, orange peel texture, light plaster, light wallpaper, light fabric, wood veneer, and other selected approved finishes.



Front view



Rear view

LINEAR RESPONSE

INVISIBLE SPEAKERS

The Stealth Acoustics Model LR6G is a two-way, full-range loudspeaker system that becomes completely invisible after installation. The loudspeaker has a rigid frame that attaches directly to standard structural framing. The paintable active diaphragm face is bonded to the frame of the speaker panel, creating an active area surrounded by a stable mounting area. Installation instructions are shown on a paper overlay that is to be removed before installation. The overlay can also be used as a cutting template for retrofitting the speakers into existing wallboard.

The LR6G may be installed in either the wall or ceiling and on-site finishing options include latex paint, light wallpaper, fabrics and selected texture coats. There is no need for special vellums or other nonstandard wallboard finishing materials. Advanced finishing methods may be supported using special techniques.

The Stealth Acoustics LR6G incorporates an acoustically coupled high quality, high-power 6.5" cone woofer and a direct coupled 25 mm neo-magnet high-frequency motor. Advanced internal carbon fiber materials allow for smooth frequency extension to 20kHz. When the LR6G is installed in standard insulated 2" x 4" framing and allowed to function in a full 8 foot stud bay, frequency response below 45Hz can be achieved. The LR6G contains two independent protection circuits (high-frequency and low-frequency sections) that automatically reset upon reduction of excessive amplifier power.

For proper registration, each speaker must be installed so that the surface of the **perimeter edge is flush** with the adjoining wallboard. When correctly in place, the surface of the speaker **face panel extends above** the height of the wallboard by 1/16" (1.6 mm). This is

done to allow space for the tape and joint compound needed to blend the panel into the wall. Shims are included to allow for mounting in wallboard thicker than 1/2" (12.7 mm).

Stealth Acoustics' invisibility offers a powerful advantage over traditional loudspeakers because they can be placed wherever they sound best, free of visual concerns that may conflict with architectural features. Accompanying the full range panels, Stealth Acoustics offers the B22G and B30G – completely invisible companion subwoofers for extended low frequency response.

All Stealth Acoustic products are covered by a 5 year manufacturer's warranty as well as an optional 15 year extended warranty. The LR6G also has 100, 70 and 25 volt constant voltage transformers available as factory installed options.



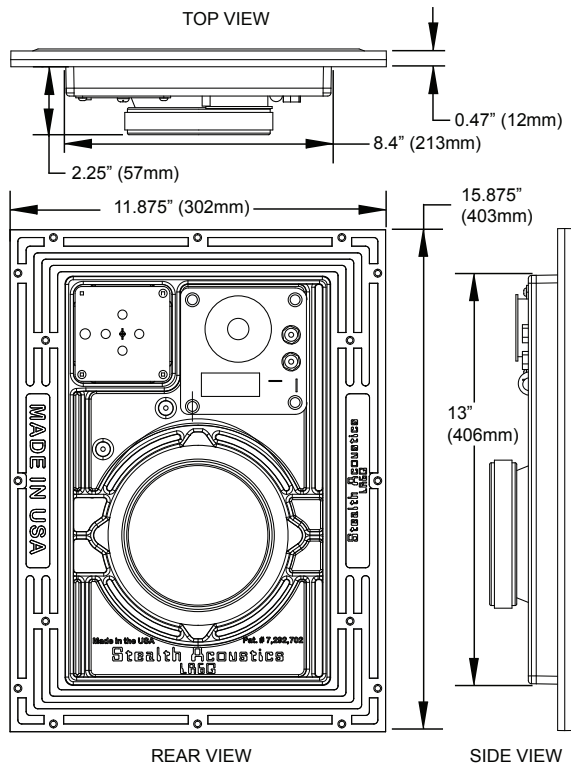
6.5" 2-WAY INVISIBLE IN-WALL OR IN-CEILING LOUDSPEAKER

Architectural & Engineering Specifications

The loudspeaker shall be a two-way, full-range device, producing frequencies from 45Hz to 20kHz. The total radiating surface shall be 117 sq. in (755 sq. cm) and high frequency dispersion shall be a nominal 170 degrees in both horizontal and vertical planes. The loudspeaker system shall have a sensitivity of 81 dB, 1 watt / 1 meter, with a capacity of 100 watts RMS according to EIA standard RS-426-A. The loudspeaker shall have two independent self-resetting protection devices, one each for the high-frequency driver and the low-frequency driver.

The loudspeaker shall fit into walls or ceilings with standard wood or steel stud construction and a minimum 2-3/4" (62 mm) depth cavity. The loudspeaker shall mount directly to the structural framing and have the capability of seamlessly adjoining 1/2" (12.7 mm) or thicker gypsum wallboard. The minimum distance between framing members shall be 8-1/2" (216 mm). Face panel finishing methods shall be consistent with normal gypsum wallboard finishing techniques and may include latex paint, light wallpaper, light fabric wood veneer and other selected approved finishes.

The loudspeaker shall be the Stealth Acoustics Model LR6G and shall carry a 5 year manufacturer's warranty.



Product Specifications

Frequency Response:

45Hz to 20kHz (see Figure 1)

Power Capacity:

100 watts RMS
 50 watts minimum recommended power

Protection:

Two independent self-resetting devices (low and high frequency)

Sensitivity:

83 dB (1 watt / 1 meter)

Driver Components:

High frequency: 1" (25 mm) neodymium motor
 Low-frequency: 1" (25 mm) voice coil, 6.5" (165 mm) woofer
 Ceramic 20 oz. (622 gr) magnet

System Impedance:

8Ω nominal

Polar Dispersion:

170 degrees vertical and horizontal

Dimensions:

Width: 15-7/8" (403 mm)
 Height: 11-7/8" (302 mm)
 Mounting Depth: 2-1/4" (57 mm)

Product Weight:

8.7 lbs. (3.9 kg)

Shipping Weight:

19 lbs. (8.6 kg) per pair
 12 lbs. (5.4 kg) per single

Included Accessories:

Mounting shims
 Mounting screws
 Terminal wrench

Optional Accessories:

- PS-12 PlaceSaver™
- BX-12 MDF Acoustic Back Box
- MBX-12 UL Listed Metal Back Box
- MBA-22 UL Listed Metal Back Box - Adjustable
- MBC-12 Concrete Back Box
- SK-1 Shim Kit
- CVXMR 100, 75 and 25 volt Constant Voltage Xfmr
- WARRANTY Extended Warranty - 15 year

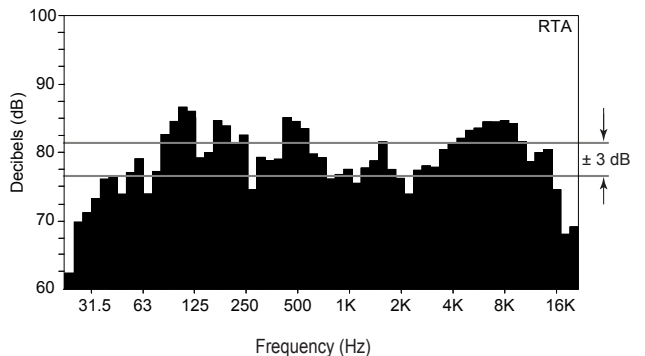


Figure 1: On-axis frequency response in standard stud wall with four coats of latex paint applied to the speaker face panel.

STEREO INVISIBLE IN-WALL OR IN-CEILING LOUDSPEAKER

Recommended Applications:

Ideal for locations where space is limited such as hallways, closets, and bathrooms
 Multi-Room Audio Systems
 Foreground Music
 Background Music

Recommended Installations:

Flush mounted in walls or ceilings constructed of wood or steel framing with 1/2" (12.7 mm) or thicker gypsum wallboard.
 Minimum 2-1/2" (63.5 mm) cavity depth required.

Performance:

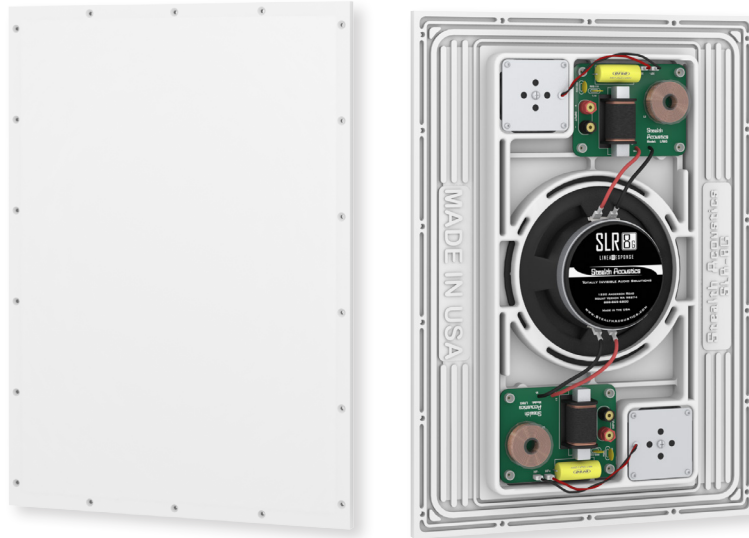
120 Watts RMS
 45Hz to 20kHz (see Figure 1)
 60W minimum recommended power

Protection:

Four independent self-resetting circuits (low and high-frequency each channel).

On-Site Finish Options:

Finish options include latex paint, flat finish, orange peel texture, light plaster, light wallpaper, light fabric, wood veneer, and other selected approved finishes.



Front view

Rear view

LINEAR RESPONSE

INVISIBLE SPEAKERS

The Stealth Acoustics model SLR8G is a dual-channel, two-way, full-range loudspeaker system that becomes completely invisible after installation. The loudspeaker has a rigid frame that attaches directly to standard structural framing. The paintable active diaphragm face is bonded to the frame of the speaker panel, creating an active area surrounded by a stable mounting area. Installation instructions are shown on a paper overlay that is to be removed before installation. The overlay can also be used as a cutting template for retrofitting the speakers into existing wallboard.

The SLR8G may be installed in either the wall or ceiling and on-site finishing options include latex paint, light wallpaper, fabrics and selected texture coats. There is no need for nonstandard wallboard finishing materials. Advanced finishing methods such as veneer treatments may be supported using special techniques.

The Stealth Acoustics SLR8G incorporates an acoustically coupled high quality, high-power 8" cone woofer and two direct coupled 25 mm neo-magnet high-frequency motors. Advanced internal carbon fiber materials allow for smooth frequency extension to 20 kHz. When the SLR8G is installed in standard insulated 2" x 4" framing and allowed to function in a full 8 foot stud bay, frequency response below 45 Hz can be achieved. The SLR8G contains independent crossover sections and protection circuits (high-frequency and low-frequency sections) for each channel that automatically reset upon reduction of excessive amplifier power.

For proper registration, each speaker must be installed so that the surface of the **perimeter edge is flush** with the adjoining wallboard. When correctly in place, the surface of the speaker **face panel extends above** the height of the wallboard by 1/16" (1.6 mm). This is

done to allow space for the tape and joint compound needed to blend the panel into the wall. Shims are included to allow for mounting in wallboard thicker than 1/2" (12.7 mm).

Stealth Acoustics' invisibility offers a powerful advantage over traditional loudspeakers because they can be placed wherever they sound best, free of visual concerns that may conflict with architectural features. Accompanying the full range panels, Stealth Acoustics offers the B22G and B30G – completely invisible companion subwoofers for extended low frequency response.

All Stealth Acoustics products are covered by a 5 year manufacturer's warranty as well as an optional 15 year extended warranty. The SLR8G also has 100, 70 and 25 volt constant voltage transformers available as factory installed options.

Architectural & Engineering Specifications

The loudspeaker shall be a dual-channel two-way, full-range device, producing frequencies from 45Hz to 20kHz. The total radiating surface shall be 352 sq. in (2,271 sq. cm) and high frequency dispersion shall be a nominal 170 degrees in both horizontal and vertical planes. The loudspeaker system shall have a sensitivity of 82 dB, 1 watt / 1 meter, with a capacity of 120 watts RMS according to EIA standard RS-426-A. The loudspeaker shall have four independent self-resetting protection devices, one each for the high-frequency driver and the low-frequency driver on each channel.

The loudspeaker shall fit into walls and ceilings with wood or steel stud construction and a standard 2-1/2" (63.5 mm) depth cavity. The loudspeaker shall mount directly to the structural framing and have the capability of seamlessly adjoining 1/2" (12.7 mm) or thicker gypsum wallboard. The minimum distance between framing members shall be 9-1/2" (241 mm). Face panel finishing methods shall be consistent with normal gypsum wallboard finishing techniques and may include latex paint, light wallpaper, light fabric and other selected approved finishes.

The loudspeaker shall be the Stealth Acoustics Model SLR8G and shall carry a 5 year manufacturer's warranty.

Product Specifications

Frequency Response:

45Hz to 20kHz (see Figure 1)

Power Capacity:

120 watts RMS

60 watts minimum recommended power

Protection:

Four independent self-resetting devices (low and high frequency each channel)

Sensitivity:

82 dB (1 watt / 1 meter)

Driver Components:

High frequency: Two 1" (25 mm) neodymium motors

Low-frequency: 1" (25 mm) voice coil, 8" (203 mm) woofer

Ceramic 20 oz. (622 gr) magnet

System Impedance:

8Ω nominal

Polar Dispersion:

170 degrees vertical and horizontal

Dimensions:

Width: 15-7/8" (403 mm)

Height: 22" (559 mm)

Mounting Depth: 2-1/2" (63.5 mm)

Product Weight:

14.5 lbs. (6.5 kg)

Shipping Weight:

18 lbs. (8.1 kg) shipped each

Included Accessories:

Mounting shims

Mounting screws

Terminal wrench

Optional Accessories:

PS-22 PlaceSaver™

BX-22 MDF Acoustic Back Box

MBX-22 UL Listed Metal Back Box

MBA-22 UL Listed Metal Back Box - Adjustable

MBC-22 Concrete Back Box

SK-1 Shim Kit

CVXMR 100, 75 and 25 volt Constant Voltage Xfmr

WARRANTY Extended Warranty - 15 year

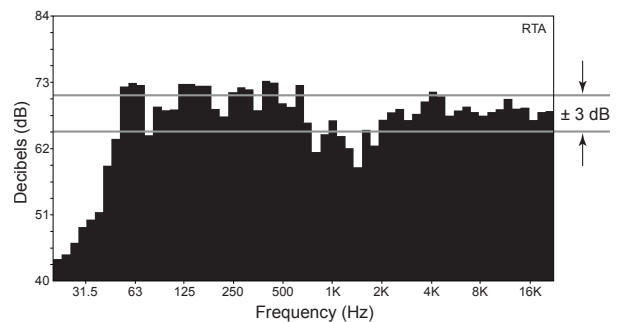
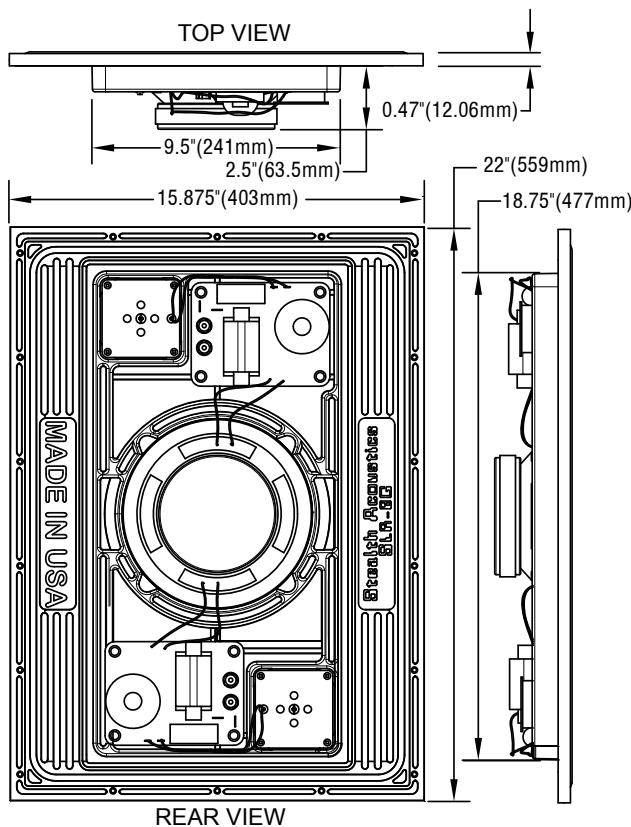


Figure 1: On-axis frequency response in standard stud wall with four coats of latex paint applied to the speaker face panel.

6.5" 2-WAY HERMETICALLY-SEALED OUTDOOR SPEAKER

Recommended Applications:

- Outdoor Audio Systems
- Foreground Music
- Background Music
- Voice Paging
- Outdoor Home Theater
- Marine Audio Systems
- Sound Masking Systems

Performance:

- 120 Watts RMS
- 50Hz to 18kHz (see Figure 1)
- 60W Minimum recommended power

Protection:

Two independent self-resetting circuits (low and high-frequency).

Factory Finish Options:

The StingRay is available in Matte White, Matte Black, Sand Stone Textured, Gray Stone Textured and Jade Stone Textured finishes.

Custom Finish Options:

Finish options may include texturing, paint or adhesive vinyl appliques (not included.)



Front view

Rear view



Black finish

The Stealth Acoustics StingRay 6™ is a full-range, high-fidelity, 6.5" two-way environmentally protected outdoor speaker utilizing sealed-front radiator technology in an enclosure with no grill or other openings. The StingRay 6™ features Stealth's proprietary Fidelity Glass™ radiating surface made from extremely durable and impenetrable glass fiber that resists elements like salt water, sunlight or harsh temperatures, while providing full and natural sound for music or speech applications.

The StingRay 6™ offers powerful advantages over traditional outdoor loudspeakers. The speaker is impervious to the elements and can be placed in almost any outdoor setting. Featuring an CEI/IEC Ingress Protection (IP) rating of 68 for maximum protection, the StingRay 6™ does not allow dust or moisture to enter the device, making it perfect for any outdoor application where wide coverage, full range sound and ultimate

environmental durability are required.

The sleek sealed rear enclosure is constructed from UV protected ASA marine-grade plastic for ultimate outdoor durability. Traditional input terminals have been replaced with a waterproof cable exit and a sunlight/moisture resistant 2' cable pigtail. UG rated butt splice connectors are provided for superior corrosion resistance connections to feed wiring.

The StingRay 6™ has four factory-standard mounting configurations using the included proprietary mounting bracket, providing for simple vertical, horizontal and downward firing mounting configurations, or free standing floor operation. An optional ground stake accessory is available for anchoring the speaker to various substrates. The speaker is also compatible with many common universal swivel mounts.

Offering near-hemispherical radiation throughout its full range of sound,

the Stealth Acoustics StingRay 6™ incorporates an acoustically coupled, high-power, 6.5" (165 mm) cone woofer and a direct coupled 1" (30 mm) neo-magnet high-frequency motor providing smooth response from 50Hz to 18 kHz. The speaker contains two independent self-resetting protection circuits (high-frequency and low-frequency sections) to protect it from excessive amplifier power.

The StingRay 6™ is offered in matte black, matte white, sand stone texture, gray stone texture and jade stone texture or may be custom painted or vinyl wrapped to match almost any environment.

The Stealth Acoustics StingRay 6™ is covered by a 5 year manufacturer's warranty.



6.5" 2-WAY HERMETICALLY SEALED OUTDOOR SPEAKER

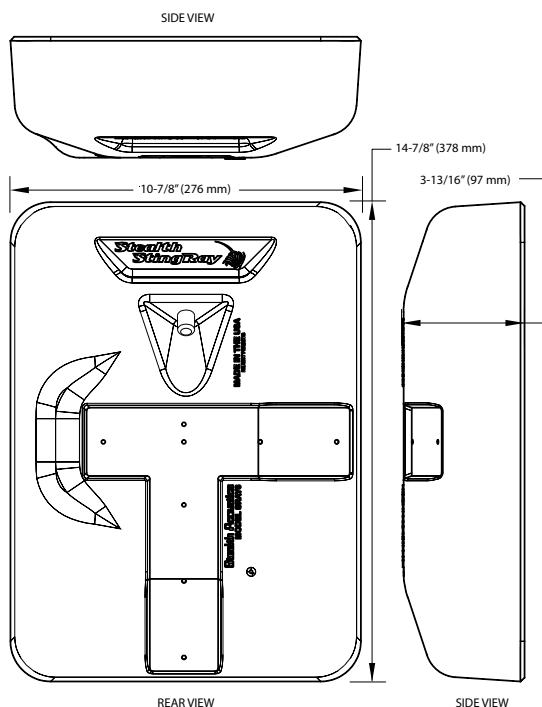
Architectural & Engineering Specifications

The outdoor loudspeaker shall be a two-way, full-range device, reproducing frequencies from 50Hz to 18kHz, without the use of external filters or equalizers. The loudspeaker shall incorporate an impenetrable sealed-front radiating panel with a minimum radiating surface area of 755 sq. in (1,806 sq. cm). The loudspeaker shall be completely enclosed and shall offer an Ingress Protection rating of IP-68 per CEI/IEC 60529 for maximum protection from water and dust intrusion.

Dispersion shall be a nominal 170 degrees in both horizontal and vertical planes across the entire frequency operating range. The loudspeaker system shall incorporate an acoustically coupled, low profile, high-power 6.5" (165 mm) cone woofer and a direct coupled 1" (30 mm) neo-magnet high-frequency motor. The loudspeaker shall have a minimum sensitivity of 83 dB, 1 watt / 1 meter, with a power-handling capacity of 120 watts RMS according to EIA standard RS-426-A.

The loudspeaker shall have two independent self-resetting protection devices, one each for the high-frequency driver and the low-frequency driver. The loudspeaker shall measure 14-7/8" (378 mm) x 10-7/8" (276 mm) x 3-13/16" (97 mm) and shall be capable of mounting on walls or ceilings in a flat or 45 degree position using the supplied mounting bracket, mounted freestanding using the optional ground stake accessory, or in an articulated mounting utilizing optional mounting brackets. Speaker finishing methods shall consist of factory standard matte black, matte white, sand stone texture, gray stone texture and jade stone texture or custom finished using paint or exterior-grade vinyl graphics as specified.

The loudspeaker shall be the Stealth Acoustics model SRAY6 (specify standard white, black, sand stone, gray stone or any special finishing requirements). The loudspeaker shall carry a 5 year manufacturer's warranty.



Product Specifications

Frequency Response:

50Hz to 18kHz (see Figure 1)

Power Capacity:

120 watts RMS
60 watts minimum recommended power

Protection:

Two independent self-resetting devices (low and high frequency)

Sensitivity:

83 dB (1 watt / 1 meter)

Driver Components:

High frequency: 1" (30 mm) neodymium motor
Low-frequency: 1" (25 mm) voice coil, 6.5" (165 mm) woofer
Ceramic 20 oz. (622 gr) magnet

System Impedance:

8Ω nominal

Polar Dispersion:

170 degrees vertical and horizontal

Dimensions:

Width: 14-7/8" (378 mm)
Height: 10-7/8" (276 mm)
Depth: 3-13/16" (97 mm)

Temperature Range:

Capable of full operation between 0°F (-17°C) to 150°F (60°C)

Environmental Protection Rating:

Ingress Protection (IP) rating of IP-68 per CEI/IEC 60529

Product Weight:

12 lbs. (6 kg)

Shipping Weight:

31 lbs. (14 kg) per pair
18 lbs. (9 kg) per single

Included Accessories:

Key slot mounting bracket
Mounting screws

Optional Accessories:

SRGSTK Ground stake
SRUB Heavy duty mounting bracket
SRSM-33 Multi position mount

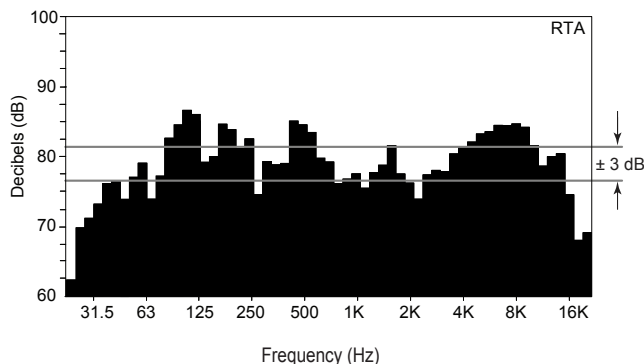


Figure 1: On-axis frequency response in standard stud wall with four coats of latex paint applied to the speaker face panel.

8" 2-WAY HERMETICALLY-SEALED OUTDOOR SPEAKER

Recommended Applications:

- Outdoor Audio Systems
- Foreground Music
- Background Music
- Voice Paging
- Outdoor Home Theater
- Marine Audio Systems
- Sound Masking Systems

Performance:

- 160 Watts RMS
- 45Hz to 18kHz (see Figure 1)
- 80W Minimum recommended power

Protection:

Two independent self-resetting circuits (low and high-frequency).

Factory Finish Options:

The StingRay is available in Matte White, Matte Black, Sand Stone Textured, Gray Stone Textured and Jade Stone Textured finishes.

Custom Finish Options:

Finish options may include texturing, paint or adhesive vinyl appliques (not included.)



Front view

Rear view



Black finish

The Stealth Acoustics StingRay 8™ is a full-range, high-fidelity, 8" two-way environmentally protected outdoor speaker utilizing sealed-front radiator technology in an enclosure with no grill or other openings. The StingRay 8™ features Stealth's proprietary Fidelity Glass™ radiating surface made from extremely durable and impenetrable glass fiber that resists elements like salt water, sunlight or harsh temperatures, while providing full and natural sound for music or speech applications.

The StingRay 8™ offers powerful advantages over traditional outdoor loudspeakers. The speaker is impervious to the elements and can be placed in almost any outdoor setting. Featuring an CEI/IEC Ingress Protection (IP) rating of 68 for maximum protection, the StingRay 8G™ does not allow dust or moisture to enter the device, making it perfect for any outdoor application where wide coverage, full range sound and ultimate

environmental durability are required.

The sleek sealed rear enclosure is constructed from UV protected ASA marine-grade plastic for ultimate outdoor durability. Traditional input terminals have been replaced with a waterproof cable exit and a sunlight/moisture resistant 2' cable pigtail. UG rated butt splice connectors are provided for superior corrosion resistance connections to feed wiring.

The StingRay 8™ has four factory-standard mounting configurations using the included proprietary mounting bracket, providing for simple vertical, horizontal and downward firing mounting configurations, or free standing floor operation. An optional ground stake accessory is available for anchoring the speaker to various substrates. The speaker is also compatible with many common universal swivel mounts.

Offering near-hemispherical radiation throughout its full range of sound,

the Stealth Acoustics StingRay 8™ incorporates an acoustically coupled, high-power, 8" (203 mm) cone woofer and a direct coupled 1" (30 mm) neo-magnet high-frequency motor providing smooth response from 45Hz to 18 kHz. The speaker contains two independent self-resetting protection circuits (high-frequency and low-frequency sections) to protect it from excessive amplifier power.

The StingRay 8™ is offered in matte black, matte white, sand stone texture, gray stone texture and jade stone texture or may be custom painted or vinyl wrapped to match almost any environment.

The Stealth Acoustics StingRay 8™ is covered by a 5 year manufacturer's warranty.



8" 2-WAY HERMETICALLY SEALED OUTDOOR SPEAKER

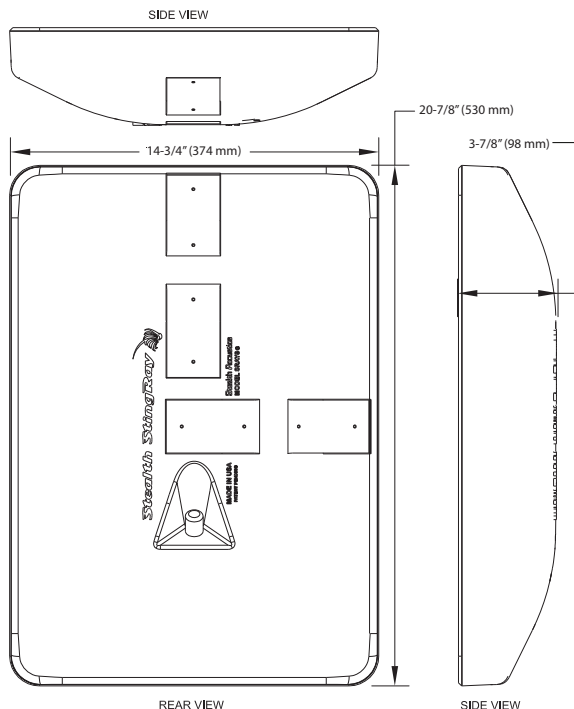
Architectural & Engineering Specifications

The outdoor loudspeaker shall be a two-way, full-range device, reproducing frequencies from 45Hz to 18kHz, without the use of external filters or equalizers. The loudspeaker shall incorporate an impenetrable sealed-front radiating panel with a minimum radiating surface area of 280 sq. in (1,806 sq. cm). The loudspeaker shall be completely enclosed and shall offer an Ingress Protection rating of IP-68 per CEI/IEC 60529 for maximum protection from water and dust intrusion.

Dispersion shall be a nominal 170 degrees in both horizontal and vertical planes across the entire frequency operating range. The loudspeaker system shall incorporate an acoustically coupled, low profile, high-power 8" (203 mm) cone woofer and a direct coupled 1" (30 mm) neo-magnet high-frequency motor. The loudspeaker shall have a minimum sensitivity of 83 dB, 1 watt / 1 meter, with a power-handling capacity of 160 watts RMS according to EIA standard RS-426-A.

The loudspeaker shall have two independent self-resetting protection devices, one each for the high-frequency driver and the low-frequency driver. The loudspeaker shall measure 20-7/8" (530 mm) x 14-3/4" (374 mm) x 3-1/2" (89 mm) and shall be capable of mounting on walls or ceilings in a flat or 45 degree position using the supplied mounting bracket, mounted freestanding using the optional ground stake accessory, or in an articulated mounting utilizing optional mounting brackets. Speaker finishing methods shall consist of factory standard matte black, matte white, sand stone texture, gray stone texture and jade stone texture or custom finished using paint or exterior-grade vinyl graphics as specified.

The loudspeaker shall be the Stealth Acoustics model SRAY8 (specify *standard white, black, sand stone, gray stone, jade stone or any special finishing requirements*). The loudspeaker shall carry a 5 year manufacturer's warranty.



Product Specifications

Frequency Response:

45Hz to 18kHz (see Figure 1)

Power Capacity:

160 watts RMS
80 watts minimum recommended power

Protection:

Two independent self-resetting devices (low and high frequency)

Sensitivity:

83 dB (1 watt / 1 meter)

Driver Components:

High frequency: 1" (30 mm) neodymium motor
Low-frequency: 1.5" (38 mm) voice coil, 8" (203 mm) woofer
Ceramic 20 oz. (622 gr) magnet

System Impedance:

8Ω nominal

Polar Dispersion:

170 degrees vertical and horizontal

Dimensions:

Width: 20-7/8" (530 mm)
Height: 14-3/4" (374 mm)
Depth: 3-7/8" (98 mm)

Temperature Range:

Capable of full operation between 0°F (-17°C) to 150°F (60°C)

Environmental Protection Rating:

Ingress Protection (IP) rating of IP-68 per CEI/IEC 60529

Product Weight:

15 lbs. (7 kg) each

Shipping Weight:

41 lbs. (19 kg) per pair
23 lbs. (11 kg) per single

Included Accessories:

Key slot mounting bracket
Mounting screws

Optional Accessories:

SRGSTK Ground stake
SRUB Heavy duty mounting bracket
SRSM-33 Multi position mount

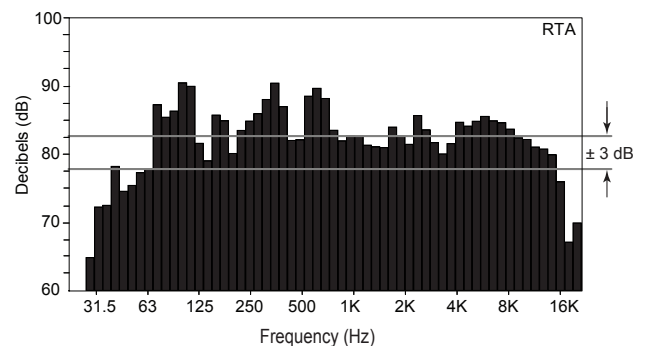


Figure 1: On-axis frequency response.